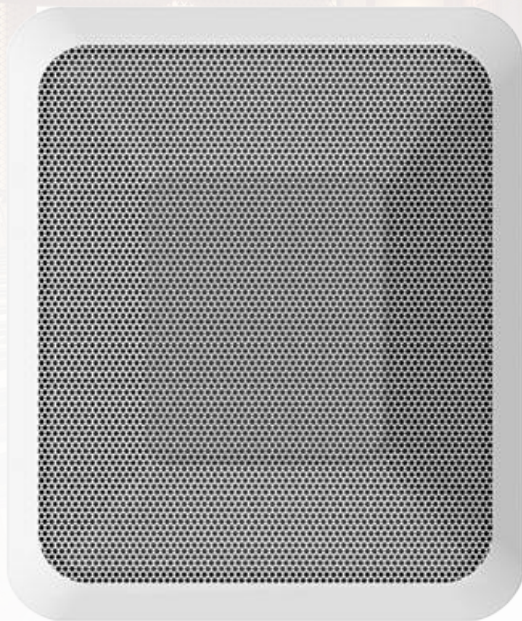


COAXIAL SPEAKERS

PH06、PH06A



Product introduction :

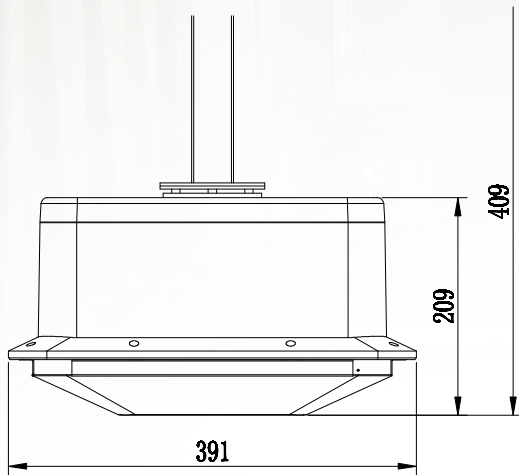
Ph06 and PH06A are multi-purpose passive active coaxial speakers with completely independent innovative design and independent intellectual property rights. Including PH06, Ph06A two speakers, the sound is clear, bright, thick and full. It can be installed on the top of the leak, or can be installed on the top of the semi-hidden. It can be perfectly used in various indoor sound reinforcement occasions.

PH06, PH06A speakers are composed of five 1-inch neodymium dome tweeters and one 6.5-inch neodymium mid-woofer unit, forming a combination with great dynamic balance. The tweeter is arranged in a coaxial array above the mid-bass which had accurate PAN.

The PH06A speaker uses a 2*50W high-efficiency Class D power amplifier with high power and low distortion. Built-in powerful 24bit DSP speaker processing module, with gain, frequency division, equalization, delay, limit, program memory and other functions. There is a network interface on the speaker panel, which is convenient for multiple links.

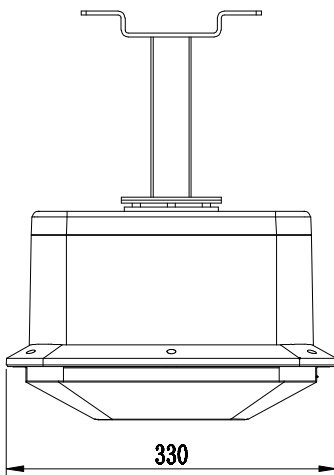
Application:

Classrooms, meeting rooms, public broadcasting, multi-function halls, banquet halls, and other indoor sound reinforcement occasions.



Main functional parameters:

Model	PHO6
Type	Passive 2-way Full Frequency Plastic Speaker
Frequency response	75Hz~19kHz
Coverage	90°* 60°
LF unit	1x6.5"
HF unit	5x1"
Sensitivity(1W@1m)	86 dB
Nominal impedance	8Ω
Rated power	80W
Max SPL(@1m)	105dB
Dimension(WxHxD)	391×409×330(mm)



Main functional parameters:

Model	PHO6A
Type	Active 2-way Full Frequency Plastic Speaker
Frequency response	75Hz~19kHz
Coverage	90°* 60°
LF unit	1x6.5"
HF unit	5x1"
AMP power	2x50W
Input sensitivity	0dBu
Power supply	230V/115V
Max SPL(@1m)	105dB
Dimension(WxHxD)	391×409×330(mm)

